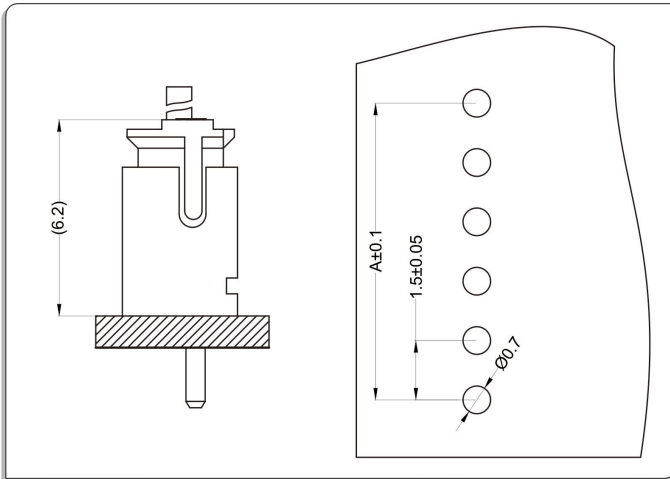


## 技术参数 SPECIFICATIONS

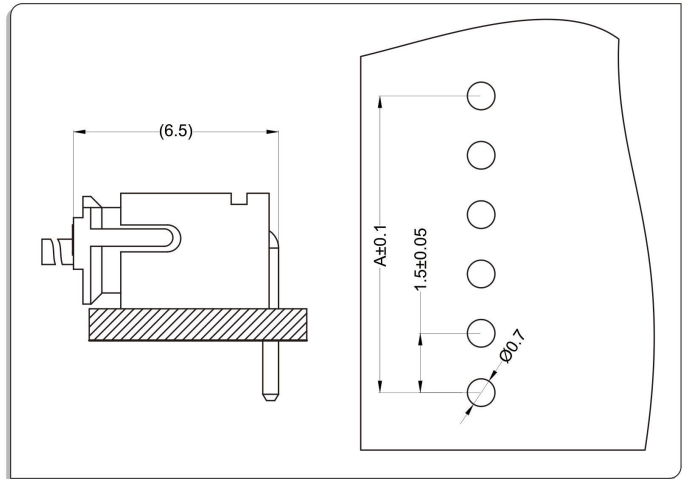
- 1、极数CKT: 2Pin to 20Pin
- 2、额定电流Current rating: 1A AC/DC
- 3、额定电压Voltage rating(max): 100V, AC/DC
- 4、工作温度Working Temperature:  $-25^{\circ}\text{C} \sim +85^{\circ}\text{C}$ , (含通电温度上升值)  
(Including temperature rise in applying electrical current)
- 5、接触电阻Contact resistance: 初始Initial value  $\leq 20\text{m}\Omega$   
环境测试后After environmental testing  $\leq 30\text{m}\Omega$
- 6、绝缘电阻Insulation resistance:  $\geq 500\text{M}\Omega$
- 7、耐电压Withstand voltage: 500VAC(rms)
- 8、适用线规 Applicable wire: AWG #30 to #26
- 9、适用基板厚度Applicable PCB board thickness: 1.6mm to 2.0mm

## 安装尺寸 Mounting Measurement

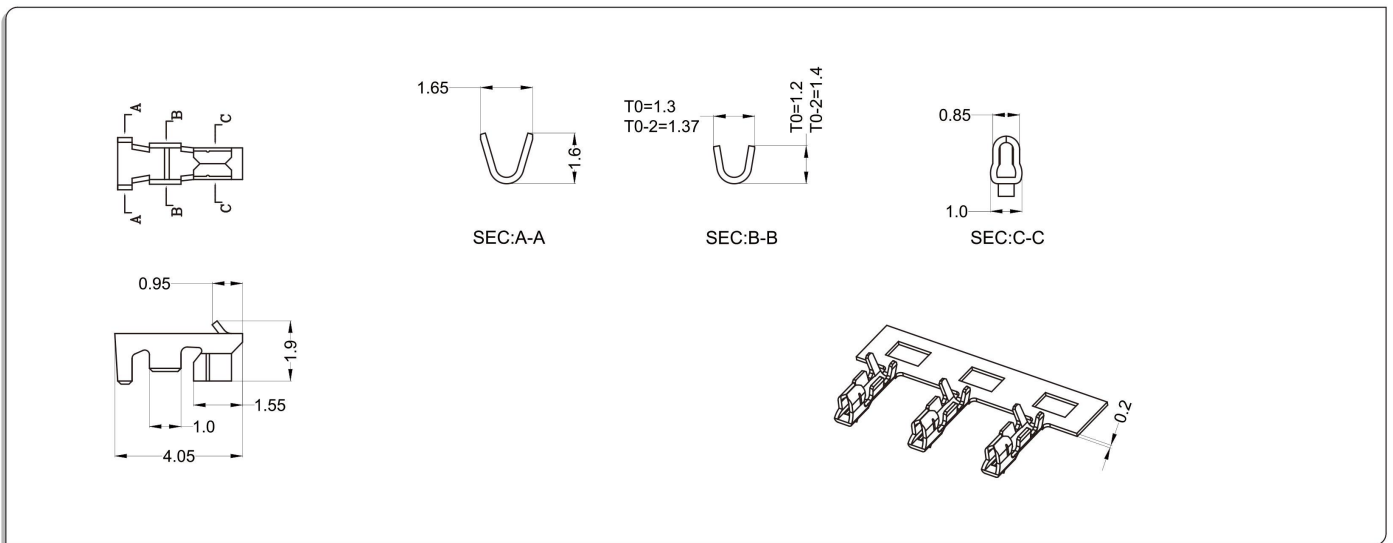
### 立式 Straight Angle



### 卧式 Right Angle



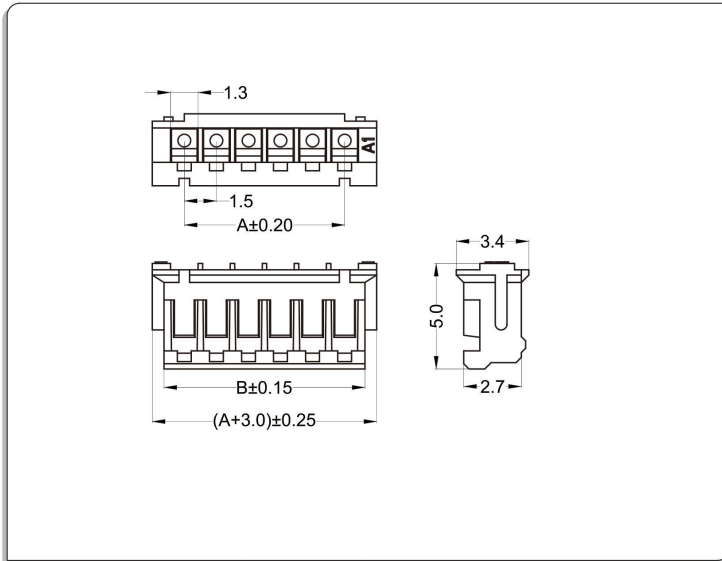
## 公头端子 Terminal: T=0.2mm



Part No.	Wire Range	Insulation O.D	Material	Finish
WT150Z0—T0	AWG#30~#26	1.10mm MAX	phosphor bronze	Tin & Gold-plated
WT150Z0—T0-2	AWG#26~#24	1.10mm MAX	phosphor bronze	Tin & Gold-plated

## 公头胶壳 Housing

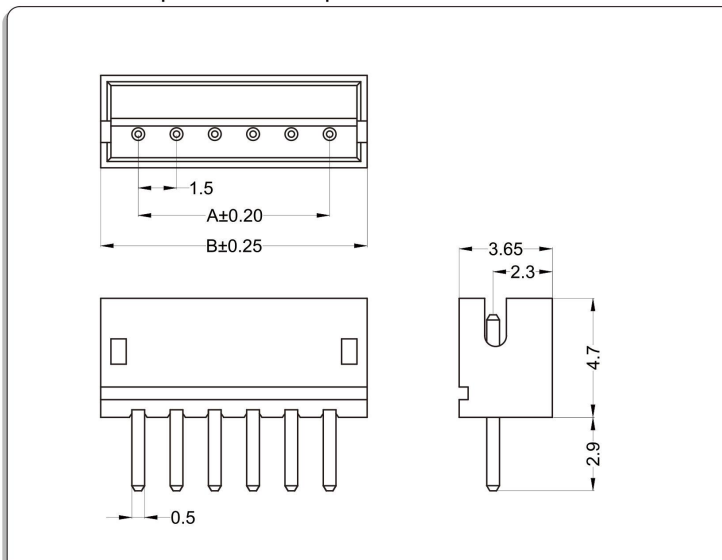
材料Material: Nylon 66 UL94V-0



CKT	Part No	DIM A	DIM B
2	WT150Z0-02	1.50	3.40
3	WT150Z0-03	3.00	4.90
4	WT150Z0-04	4.50	6.40
5	WT150Z0-05	6.00	7.90
6	WT150Z0-06	7.50	9.40
7	WT150Z0-07	9.00	10.90
8	WT150Z0-08	10.50	12.40
9	WT150Z0-09	12.00	13.90
10	WT150Z0-10	13.50	15.40
11	WT150Z0-11	15.00	16.90
12	WT150Z0-12	16.50	18.40
--	-- --	--	--
16	WT150Z0-16	22.50	24.40

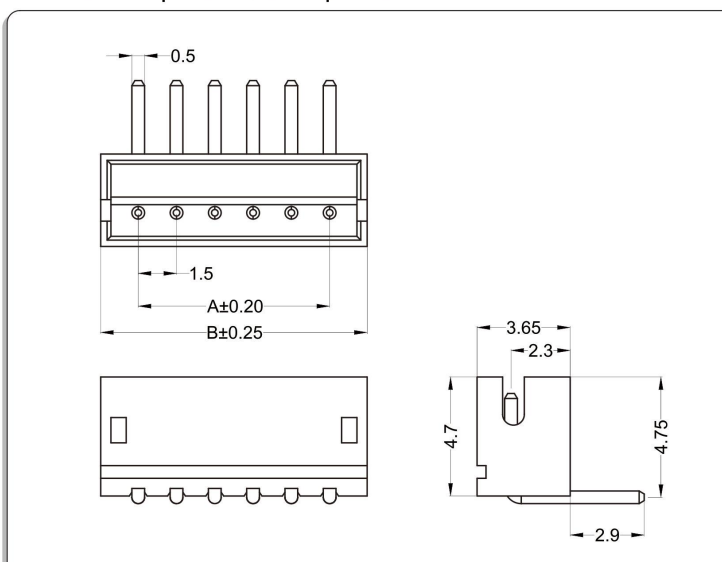
## 针座 Wafer

材料与表面处理 Material and Finish:  
Housing:Nylon 66 UL94V-0 & Terminal:Brass  
Finish:Tin-plated & Gold-plated

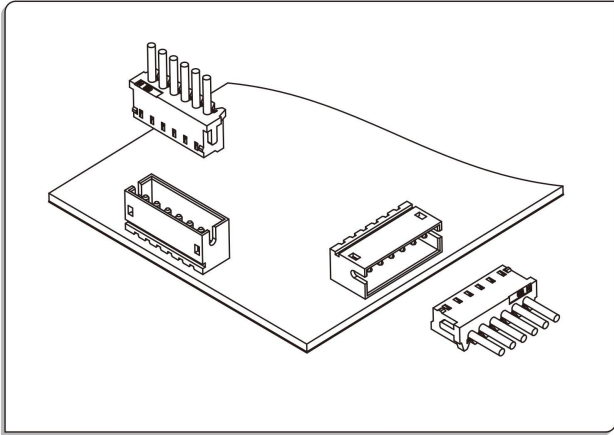


CKT	Part No	DIM A	DIM B
2	WT150LL-02	1.50	4.50
3	WT150LL-03	3.00	6.00
4	WT150LL-04	4.50	7.50
5	WT150LL-05	6.00	9.00
6	WT150LL-06	7.50	10.50
7	WT150LL-07	9.00	12.00
8	WT150LL-08	10.50	13.50
9	WT150LL-09	12.00	15.00
10	WT150LL-10	13.50	16.50
11	WT150LL-11	15.00	18.00
12	WT150LL-12	16.50	19.50
--	-- --	--	--
20	WT150LL-20	28.50	31.50

材料与表面处理 Material and Finish:  
Housing:Nylon 66 UL94V-0 & Terminal:Brass  
Finish:Tin-plated & Gold-plated



CKT	Part No	DIM A	DIM B
2	WT150LW-02	1.50	4.50
3	WT150LW-03	3.00	6.00
4	WT150LW-04	4.50	7.50
5	WT150LW-05	6.00	9.00
6	WT150LW-06	7.50	10.50
7	WT150LW-07	9.00	12.00
8	WT150LW-08	10.50	13.50
9	WT150LW-09	12.00	15.00
10	WT150LW-10	13.50	16.50
11	WT150LW-11	15.00	18.00
12	WT150LW-12	16.50	19.50
--	-- --	--	--
20	WT150LW-20	28.50	31.50

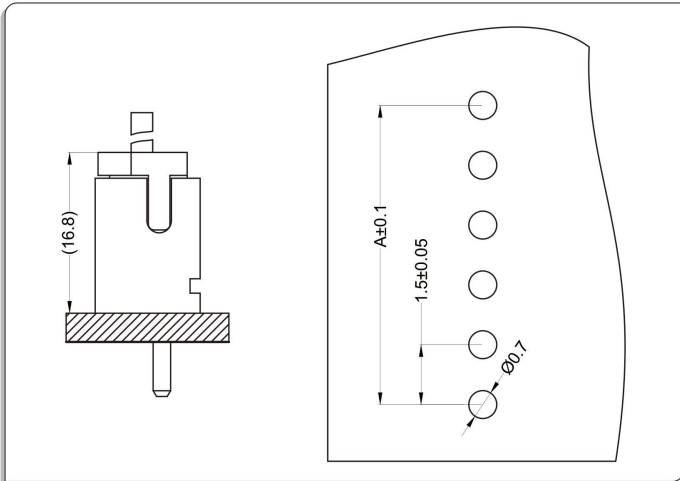


## ■ 技术参数 SPECIFICATIONS

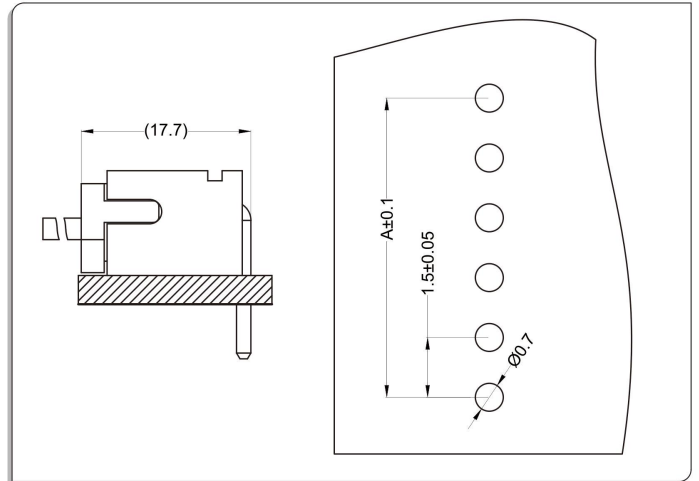
- 1、极数CKT: 2Pin to 16Pin
- 2、额定电流Current rating: 1A AC/DC
- 3、额定电压Voltage rating(max): 100V, AC/DC
- 4、工作温度Working Temperature:  $-25^{\circ}\text{C}\sim+85^{\circ}\text{C}$ ,  
(含通电温度上升值)  
(Including temperature rise in applying electrical current)
- 5、接触电阻Contact resistance: 初始Initial value  $\leq 20\text{m}\Omega$   
环境测试后After environmental testing  $\leq 30\text{m}\Omega$
- 6、绝缘电阻Insulation resistance:  $\geq 500\text{M}\Omega$
- 7、耐电压Withstand voltage: 500VAC(rms)
- 8、适用线规 Applicable wire: AWG #30 to #26
- 9、适用基板厚度Applicable PCB board thickness: 1.6mm to 2.0mm

## ■ 安装尺寸 Mounting Measurement

### ■ 立式 Straight Angle



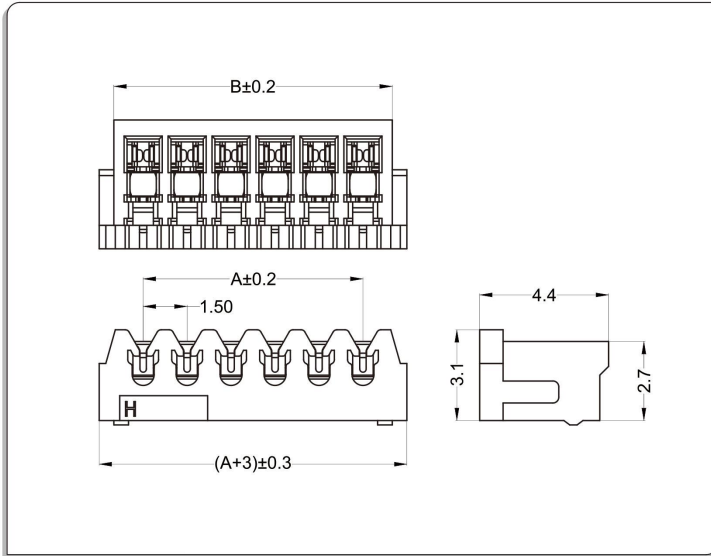
### ■ 卧式 Right Angle



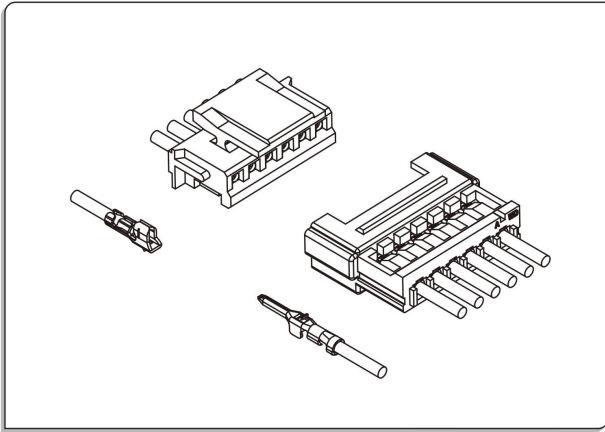
## 刺破型公头Insulation Displacement

### 材料与表面处理 Material and Finish:

Housing:Nylon 66 UL94V-0 & Terminal:phosphor bronze  
Finish:Tin-plated & Gold-plated



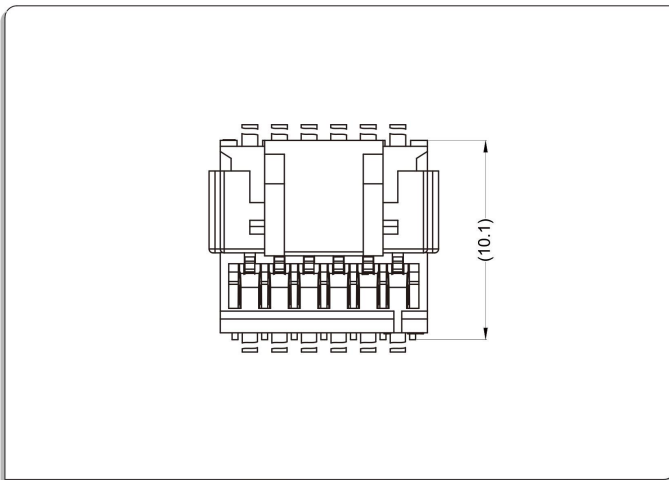
CKT	Part No	DIM A	DIM B
2	WT150L0-02	1.50	3.50
3	WT150L0-03	3.00	5.00
4	WT150L0-04	4.50	6.50
5	WT150L0-05	6.00	8.00
6	WT150L0-06	7.50	9.50
7	WT150L0-07	9.00	11.00
8	WT150L0-08	10.50	12.50
9	WT150L0-09	12.00	14.00
10	WT150L0-10	13.50	15.50
11	WT150L0-11	15.00	17.00
12	WT150L0-12	16.50	18.50
13	WT150L0-13	18.00	20.00



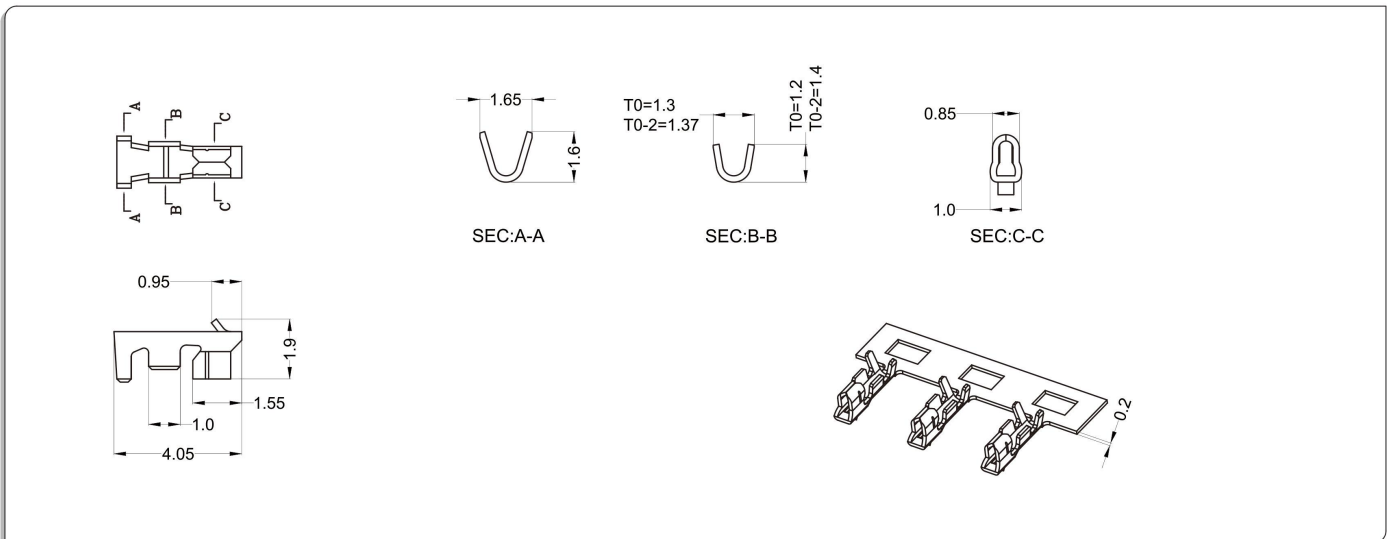
## 技术参数 SPECIFICATIONS

- 1、极数CKT: 2Pin to 20Pin
- 2、额定电流Current rating: 1A AC/DC
- 3、额定电压Voltage rating(max): 100V, AC/DC
- 4、工作温度Working Temperature:  $-25^{\circ}\text{C}\sim+85^{\circ}\text{C}$ ,  
(含通电温度上升值)  
(Including temperature rise in applying electrical current)
- 5、接触电阻Contact resistance: 初始Initial value  $\leq 20\text{m}\Omega$   
环境测试后After environmental testing  $\leq 30\text{m}\Omega$
- 6、绝缘电阻Insulation resistance:  $\geq 500\text{M}\Omega$
- 7、耐电压Withstand voltage:  $500\text{VAC}(\text{rms})$
- 8、适用线规 Applicable wire: AWG #30 to #26
- 9、适用基板厚度Applicable PCB board thickness: 1.6mm to 2.0mm

## 安装尺寸 Mounting Measurement



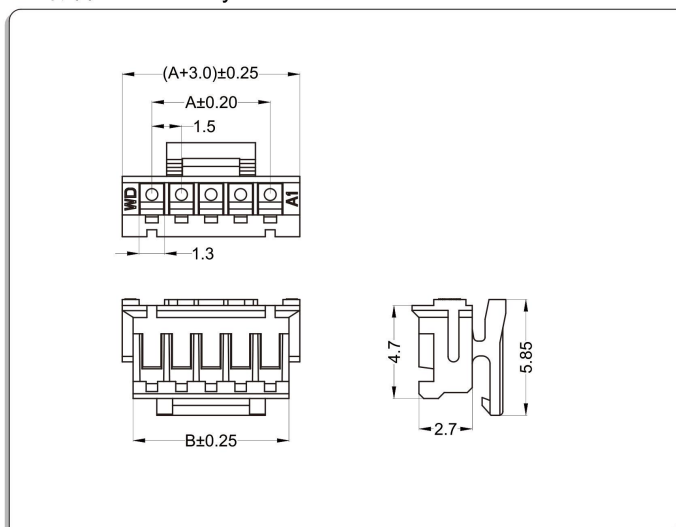
## 公头端子 Terminal: T=0.2mm



Part No.	Wire Range	Insulation O.D	Material	Finish
WT150Z0—T0	AWG#30~#26	1.10mm MAX	phosphor bronze	Tin & Gold-plated
WT150Z0—T0-2	AWG#26~#24	1.10mm MAX	phosphor bronze	Tin & Gold-plated

## 公头胶壳 Housing

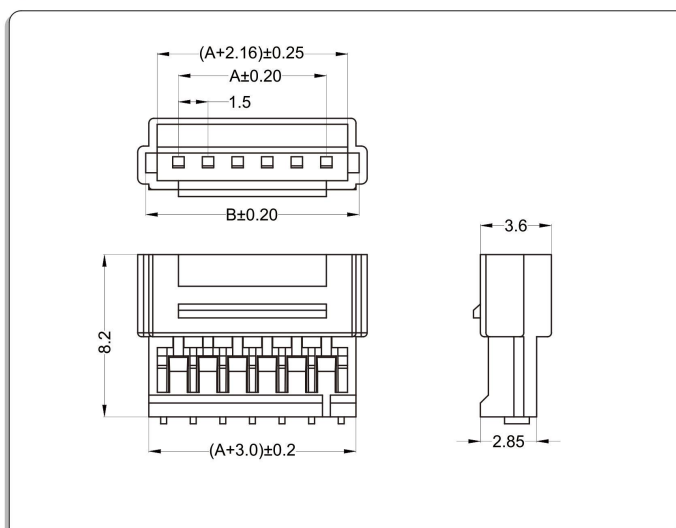
材料Material: Nylon 66 UL94V-0



CKT	Part No	DIM A	DIM B
2	WT150Z0-02	1.50	3.40
3	WT150Z0-03	3.00	4.90
4	WT150Z0-04	4.50	6.40
5	WT150Z0-05	6.00	7.90
6	WT150Z0-06	7.50	9.40
7	WT150Z0-07	9.00	10.90
8	WT150Z0-08	10.50	12.40
9	WT150Z0-09	12.00	13.90
10	WT150Z0-10	13.50	15.40
11	WT150Z0-11	15.00	16.90
12	WT150Z0-12	16.50	18.40
--	-- --	--	--
16	WT150Z0-16	22.50	24.40

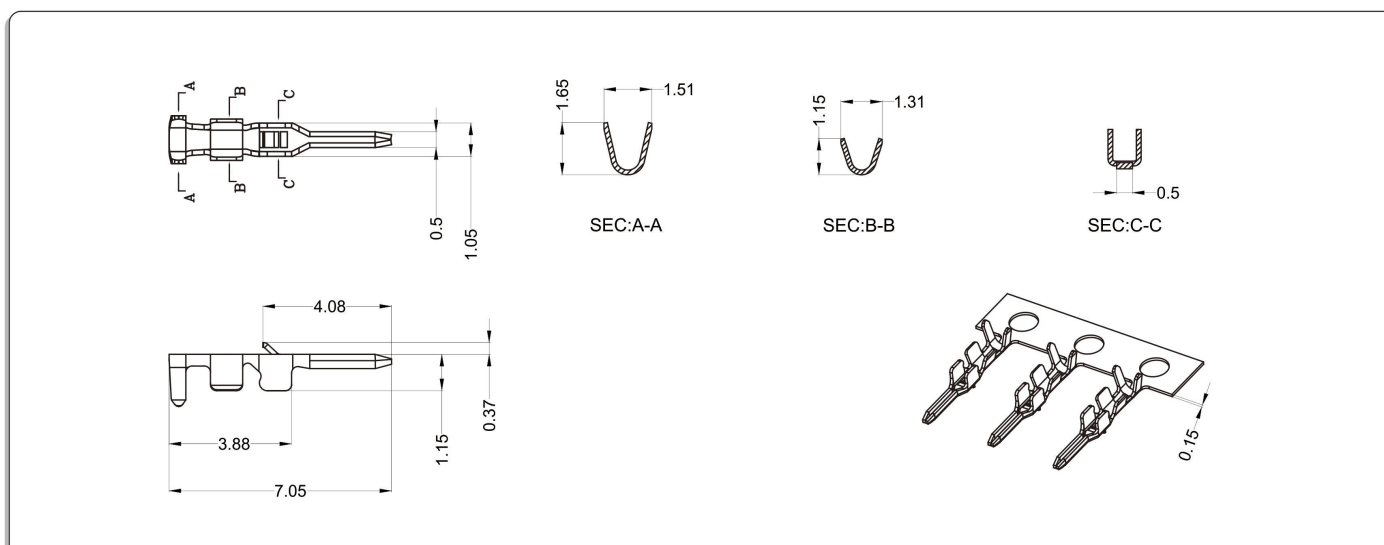
## 母座胶壳 Housing

材料Material: Nylon 66 UL94V-0

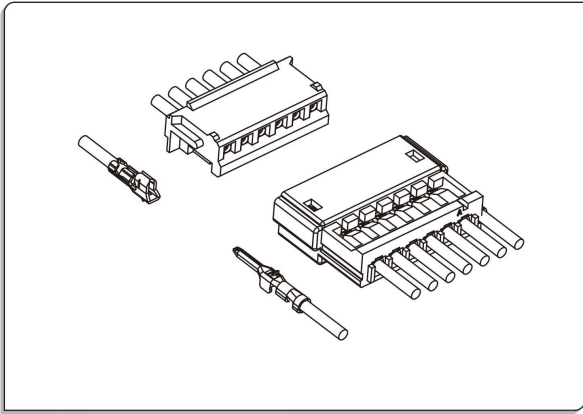


CKT	Part No	DIM A	DIM B
2	WT150Z1-02	1.50	4.82
3	WT150Z1-03	3.00	6.32
4	WT150Z1-04	4.50	7.82
5	WT150Z1-05	6.00	9.32
6	WT150Z1-06	7.50	10.82
7	WT150Z1-07	9.00	12.32
8	WT150Z1-08	10.50	13.82
9	WT150Z1-09	12.00	15.32
10	WT150Z1-10	13.50	16.82
11	WT150Z1-11	15.00	18.32
12	WT150Z1-12	16.50	19.82
--	-- --	--	--
16	WT150Z1-16	22.50	25.82

## 母座端子 Terminal: T=0.15mm



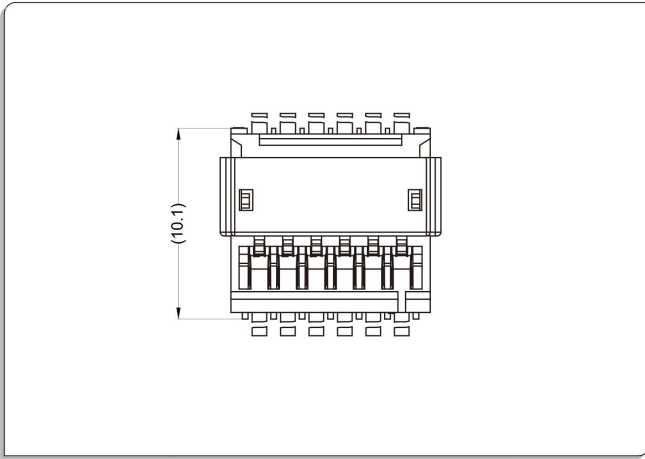
Part No.	Wire Range	Insulation O.D	Material	Finish
WT150Z1—T0	AWG#30~#26	1.10mm MAX	phosphor bronze	Tin & Gold-plated



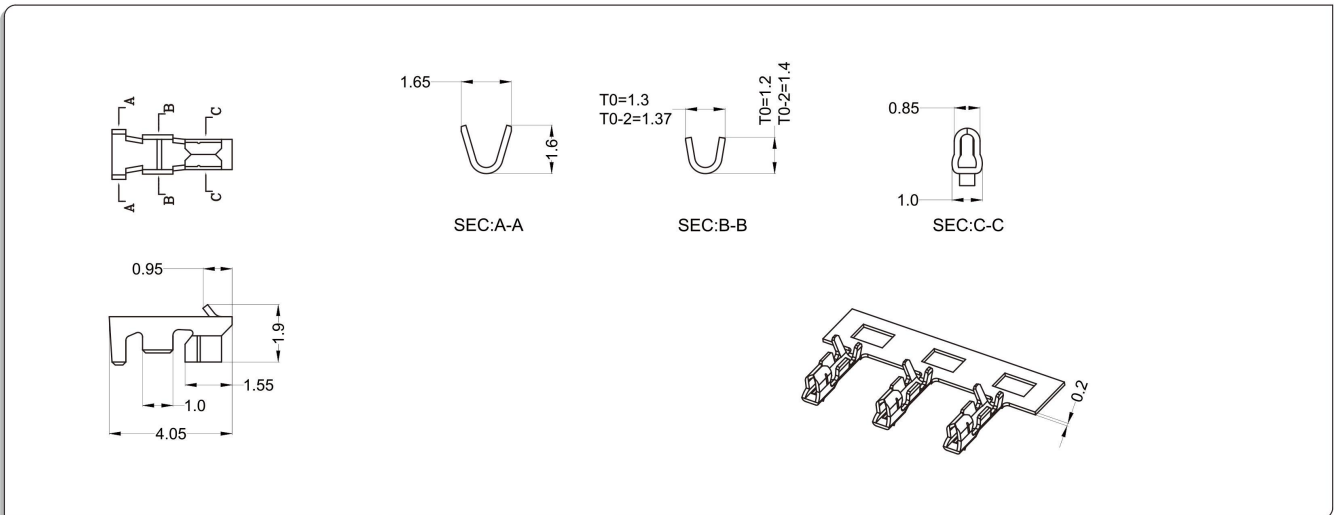
## 技术参数 SPECIFICATIONS

- 1、极数CKT: 2Pin to 20Pin
- 2、额定电流Current rating: 1A AC/DC
- 3、额定电压Voltage rating(max): 100V, AC/DC
- 4、工作温度Working Temperature:  $-25^{\circ}\text{C}\sim+85^{\circ}\text{C}$ ,  
(含通电温度上升值)  
(Including temperature rise in applying electrical current)
- 5、接触电阻Contact resistance: 初始Initial value  $\leq 20\text{m}\Omega$   
环境测试后After environmental testing  $\leq 30\text{m}\Omega$
- 6、绝缘电阻Insulation resistance:  $\geq 500\text{M}\Omega$
- 7、耐电压Withstand voltage: 500VAC(rms)
- 8、适用线规 Applicable wire: AWG #30 to #26
- 9、适用基板厚度Applicable PCB board thickness: 1.6mm to 2.0mm

## 安装尺寸 Mounting Measurement



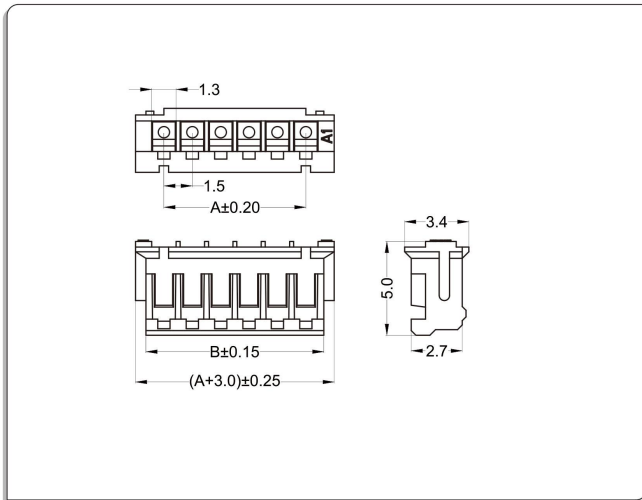
## 公头端子 Terminal: T=0.2mm



Part No.	Wire Range	Insulation O.D	Material	Finish
WT150Z0—T0	AWG#30~#26	1.10mm MAX	phosphor bronze	Tin & Gold-plated
WT150Z0—T0-2	AWG#26~#24	1.10mm MAX	phosphor bronze	Tin & Gold-plated

## 公头胶壳 Housing

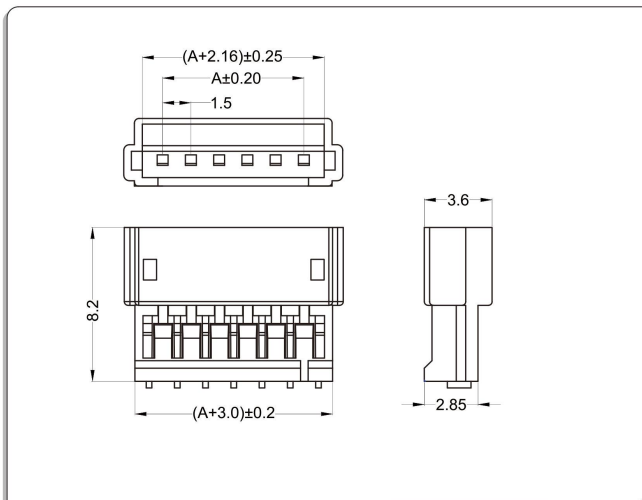
材料Material: Nylon 66 UL94V-0



CKT	Part No	DIM A	DIM B
2	WT150Z0-02	1.50	3.40
3	WT150Z0-03	3.00	4.90
4	WT150Z0-04	4.50	6.40
5	WT150Z0-05	6.00	7.90
6	WT150Z0-06	7.50	9.40
7	WT150Z0-07	9.00	10.90
8	WT150Z0-08	10.50	12.40
9	WT150Z0-09	12.00	13.90
10	WT150Z0-10	13.50	15.40
11	WT150Z0-11	15.00	16.90
12	WT150Z0-12	16.50	18.40
--	-- --	--	--
16	WT150Z0-16	22.50	24.40

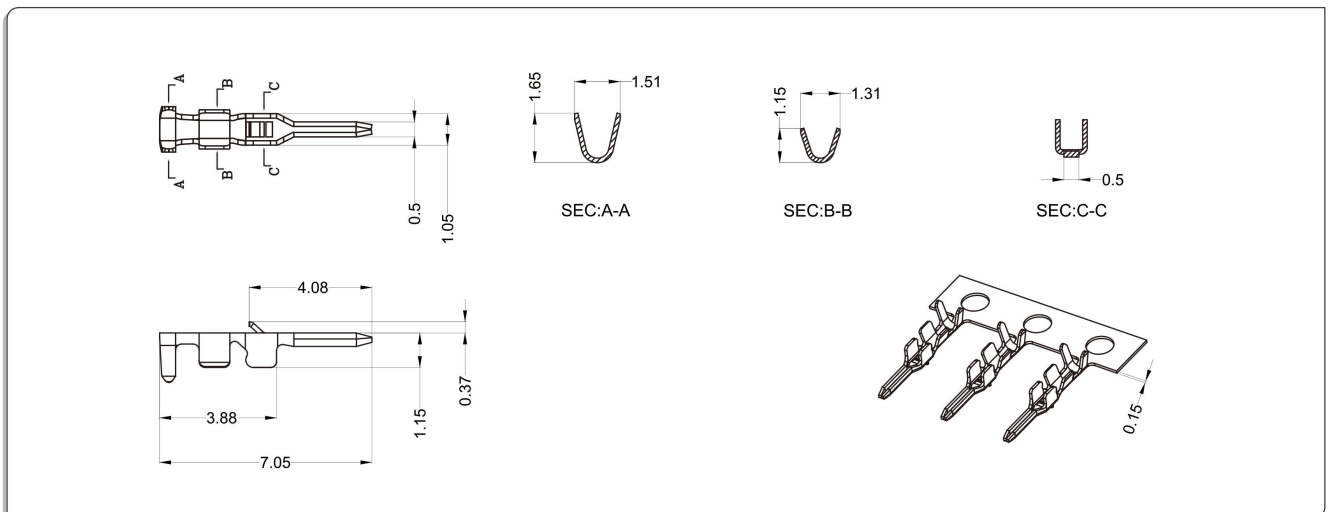
## 母座胶壳 Housing

材料Material: Nylon 66 UL94V-0



CKT	Part No	DIM A	DIM B
2	WT150Z1-02	1.50	4.82
3	WT150Z1-03	3.00	6.32
4	WT150Z1-04	4.50	7.82
5	WT150Z1-05	6.00	9.32
6	WT150Z1-06	7.50	10.82
7	WT150Z1-07	9.00	12.32
8	WT150Z1-08	10.50	13.82
9	WT150Z1-09	12.00	15.32
10	WT150Z1-10	13.50	16.82
11	WT150Z1-11	15.00	18.32
12	WT150Z1-12	16.50	19.82
--	-- --	--	--
16	WT150Z1-16	22.50	25.82

## 母座端子 Terminal: T=0.15mm



Part No.	Wire Range	Insulation O.D	Material	Finish
WT150Z1—T0	AWG#30~#26	1.10mm MAX	phosphor bronze	Tin & Gold-plated